



**MICHELIN**  
**INFLATABLE SOLUTIONS**

Construction

# SWIMMING POOL CONSTRUCTION SHELTER

## DESCRIPTION

This shelter lets you carry on working in all weather conditions. Lightweight, compact and quick and easy to install, its assembled modules, more commonly known as "kits", cover most pools in just a few minutes and for the duration of the construction work.

Watertight and dustproof, this inflatable shelter protects you and your worksite while you are laying resin, stainless steel, reinforced membrane, tiling, etc. You can also personalise it with your company colours.



Modular



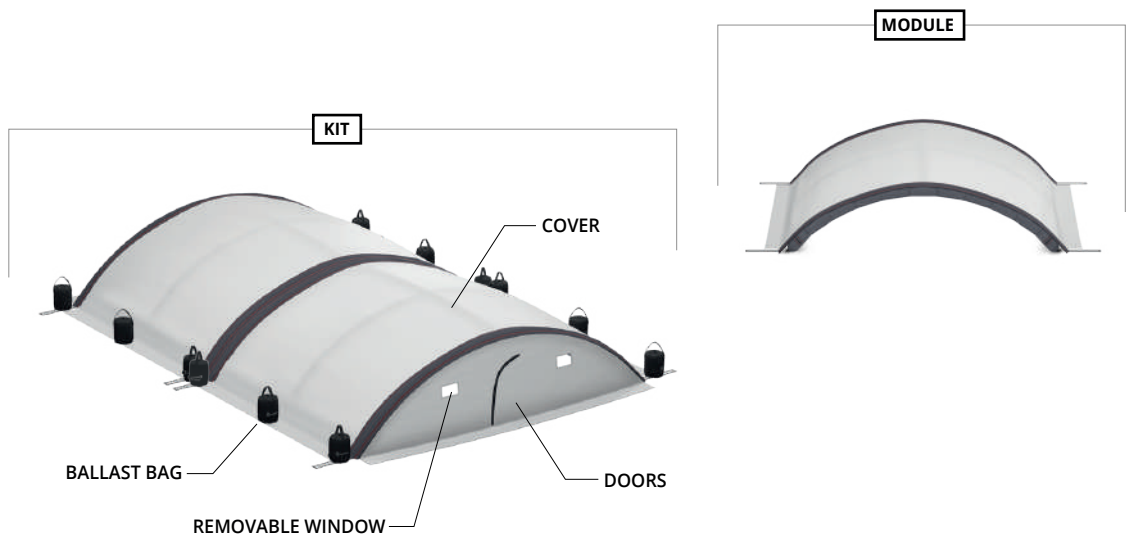
Quick installation



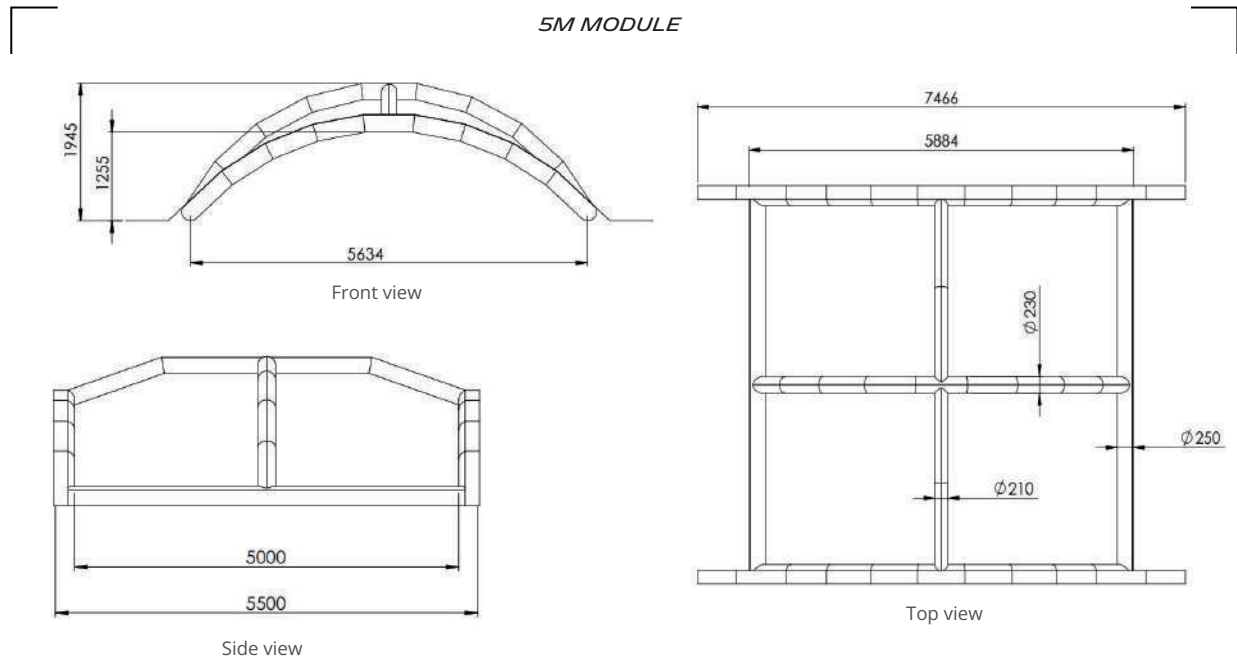
Light



Ease of use



## TECHNICAL DATA



INTERIOR DIMENSIONS	3x 5.50m	4x 5.50m	5x 5.50m
SURFACE AREA	16,5m <sup>2</sup>	22m <sup>2</sup>	27,5m <sup>2</sup>
TOTAL WEIGHT	9 kg	10 kg	12 kg
INFLATION TIME	10min	10min	10min
DEFLATION TIME	10min	10min	10min
FOLDED DIMENSIONS	50x30x20	50x30x20	50x40x30
MATERIALS	PU polyester + Nylon	PU polyester + Nylon	PU polyester + Nylon

## BALLAST

MICHELIN Inflatable Solutions offers an official ballast solution: water ballast bags (40kg filled). It is recommended to position a ballast bag every 1.5m around the structure. There are flaps on the structure to position the weights.

Module	Ballast per foot (kg)		
	30km/h	40km/h	60km/h
<b>3M</b>	19	34	77
<b>4M</b>	34	61	136
<b>5M</b>	53	95	213



Product page

Michelin Inflatable Solutions

5 avenue Jean Rostand  
78190 TRAPPES  
FRANCE

✉ [commerce@inflatable.michelin.com](mailto:commerce@inflatable.michelin.com)  
🌐 <https://inflatable.michelin.com>

