



MICHELIN INFLATABLE SOLUTIONS

Sport & Events

AIR DRONE ARENA INFLATABLE DRONE CAGE

DESCRIPTION

The Air Drone Arena is a specific innovation designed for the practice of Drone Soccer. It allows UAVs to be initiated into flight mode and demonstrated in a safe environment during indoor or outdoor exhibitions, thanks to the flat-roofed design.

The structure is inflated within 7 minutes and remains pressurized for several days. Lightweight (only 72 lbs.) and easy to fold, it fits into a carry-on bag. An XL ultralight structure is also available for some applications with same functionalities.



Secure



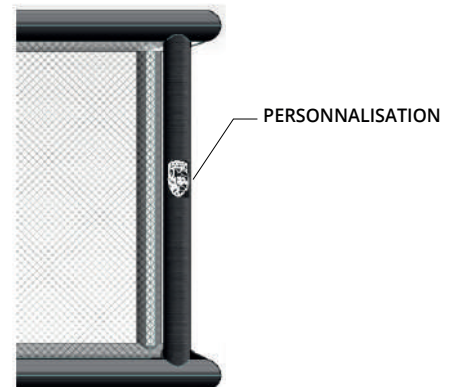
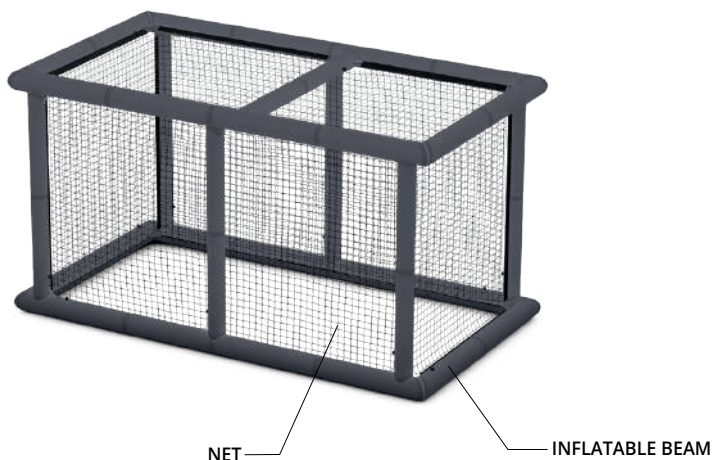
Quick Installation



Light

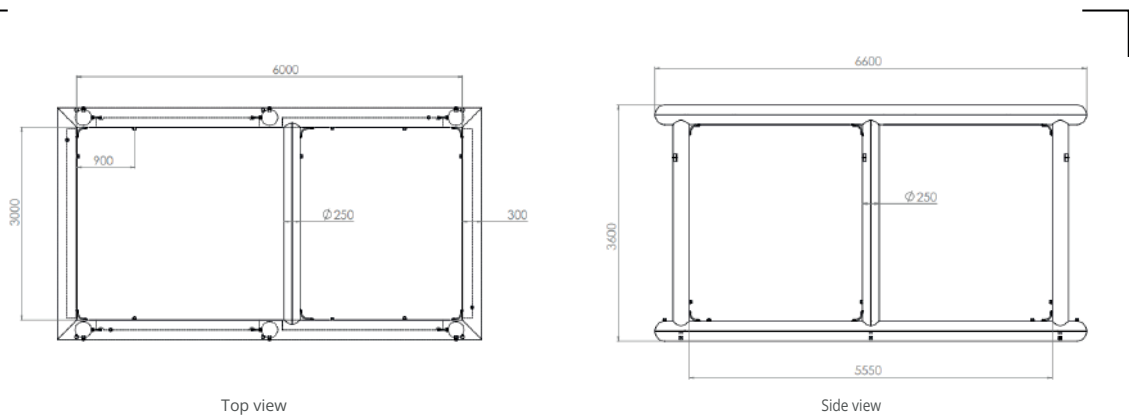


Easy installation



MICHELIN

TECHNICAL DATA



DIMENSIONS	6m x 3m x 3m
TOTAL WEIGHT	33 kg (72lbs)
INFLATION TIME	15min (preparation included)
DEFLATION TIME	15min (folding included)
PACK SIZE	80L x 60l x 60H cm
FABRICS	M1 fabric
COLORS	Anthracite grey, white

TESTIMONIAL



« We chose this arena because we needed a safe environment in which to develop our aerial drones. Indeed, our professional drone pilot training centres need to operate in an aviary in certain cases, such as demonstrations or machine presentations, in order to protect the public and the airspace if necessary. What's more, our events subsidiary Atra Drone Events uses this Drone Arena for Drone Soccer, and it's exactly what's needed! Lightweight, easy to transport, quick and easy to set up and take down, robust - all the ingredients for successful events! The quality is excellent and the icing on the cake is that it's French ! »

CONTACT

Because every project is unique, please contact our sales department to discuss and define your needs together.

M. BAGOT Jerome ✉ jerome.bagot@inflatable.michelin.com ☎ +33(0)6 43 06 18 51

Michelin Inflatable Solutions

5 avenue Jean Rostand
78190 TRAPPES
FRANCE

✉ commerce@inflatable.michelin.com
🌐 <https://inflatable.michelin.com>

