



# MICHELIN INFLATABLE SOLUTIONS

Construction



## SWIMMING POOL CONSTRUCTION SHELTER

### DESCRIPTION

This shelter allows you to continue working in wet weather. Lightweight, compact and quick and easy to install, its assembled modules cover most basins in just a few minutes and for the duration of the work.

This inflatable shelter protects you and your worksite while you are laying resin, stainless steel, reinforced membrane, tiling, etc. There are hatches on the doors of the shelter to let in blower/heating pipes.

You can also personalise it with your company colours.



Modular



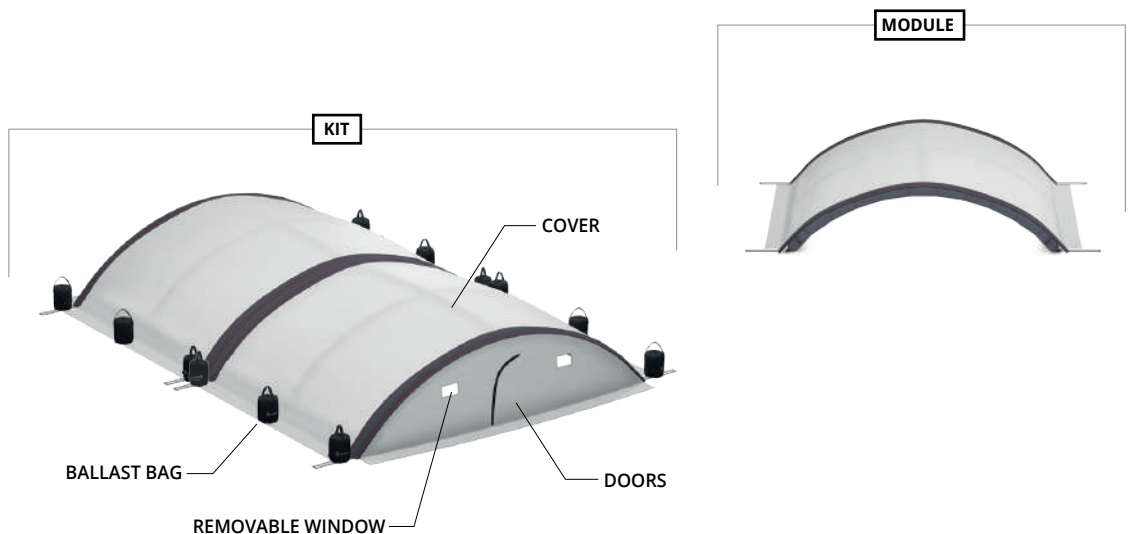
Quick installation



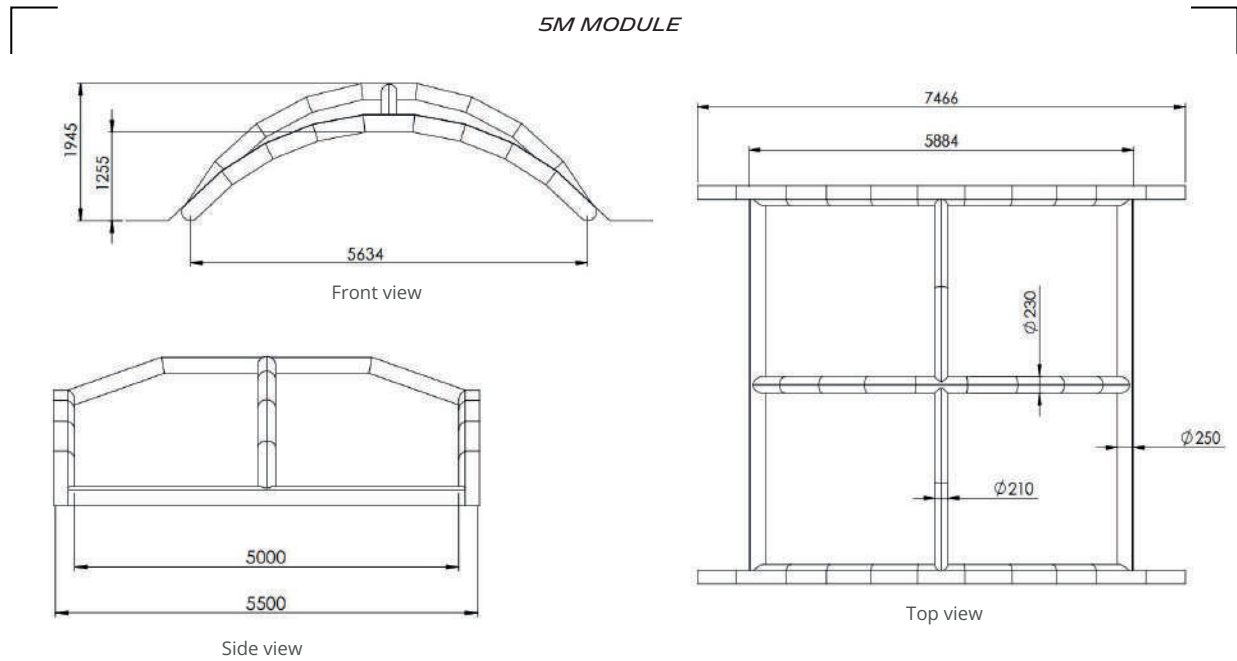
Light



Ease of use



## TECHNICAL DATA

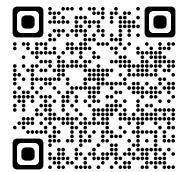


<b>INTERIOR DIMENSIONS</b>	3x 5.50m	4x 5.50m	5x 5.50m
<b>SURFACE AREA</b>	16,5m <sup>2</sup>	22m <sup>2</sup>	27,5m <sup>2</sup>
<b>TOTAL WEIGHT</b>	9 kg	10 kg	12 kg
<b>INFLATION TIME</b>	10min	10min	10min
<b>DEFLATION TIME</b>	10min	10min	10min
<b>FOLDED DIMENSIONS</b>	50x30x20	50x30x20	50x40x30
<b>MATERIALS</b>	PU polyester + Nylon	PU polyester + Nylon	PU polyester + Nylon

## BALLAST

MICHELIN Inflatable Solutions offers an official ballast solution: water ballast bags (40kg filled). It is recommended to position a ballast bag every 1.5m around the structure. There are flaps on the structure to position the weights.

Module	Ballast per foot (kg)		
	30km/h	40km/h	60km/h
<b>3M</b>	19	34	77
<b>4M</b>	34	61	136
<b>5M</b>	53	95	213



Product page

Michelin Inflatable Solutions

5 avenue Jean Rostand  
78190 TRAPPES  
FRANCE

✉ [commerce@inflatable.michelin.com](mailto:commerce@inflatable.michelin.com)  
🌐 <https://inflatable.michelin.com>

